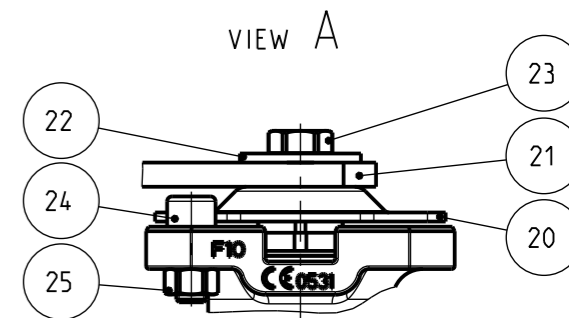
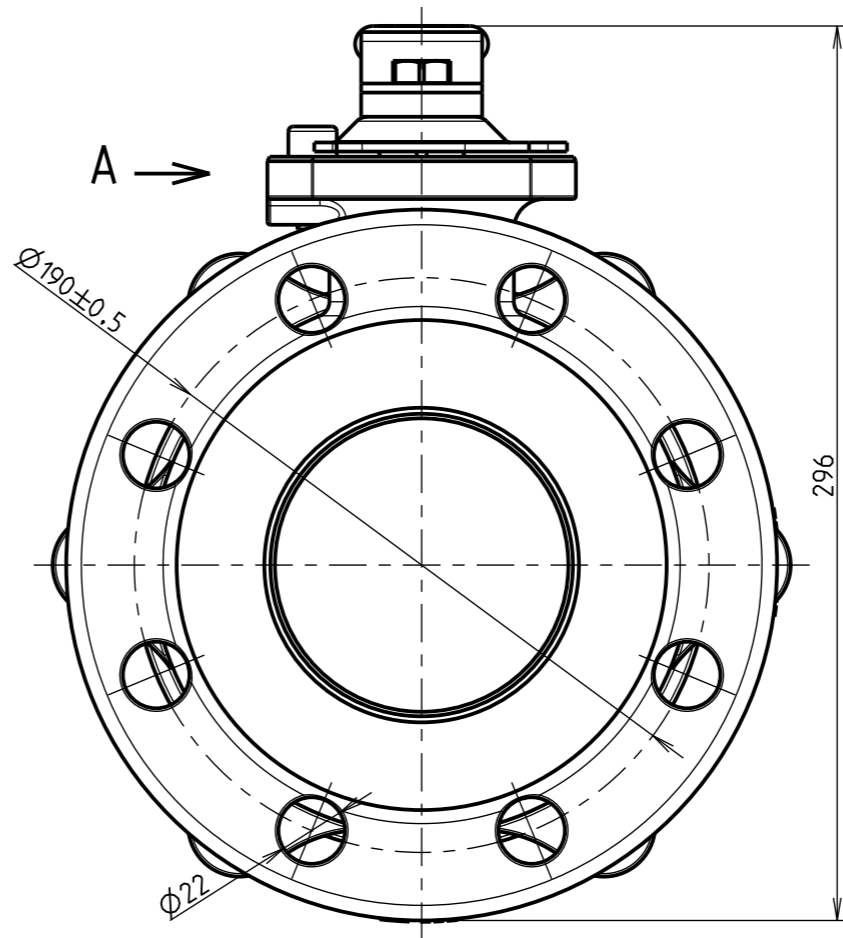
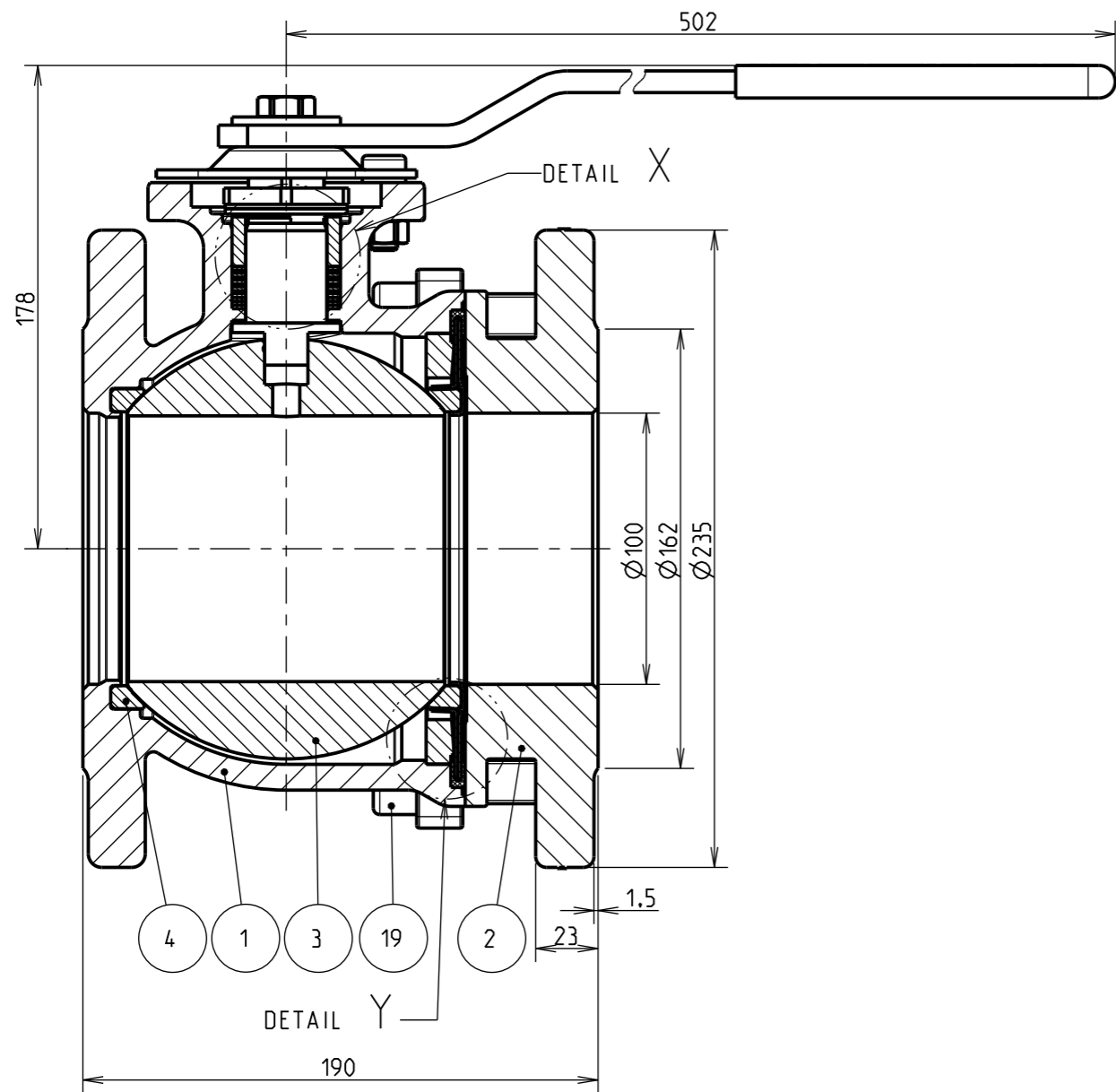
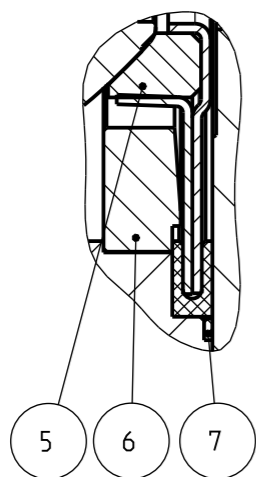


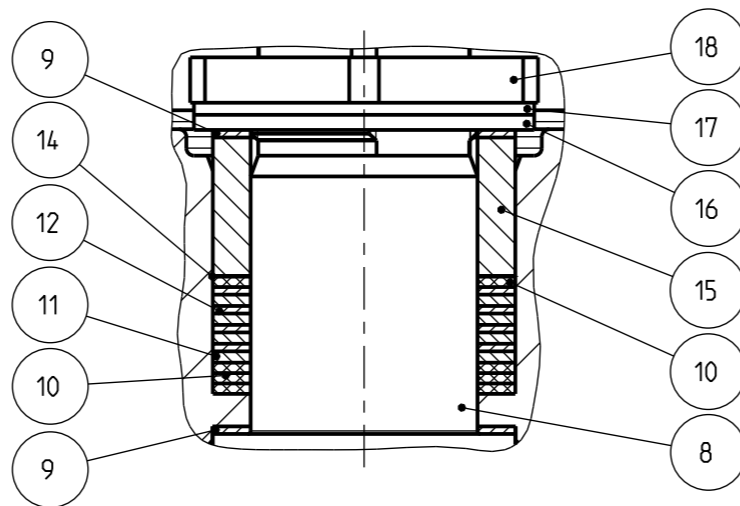
Klinger ballvalve type KHE-FK 100 PN40 VIII-KFC/FS-LABYR with Lever



DETAIL Y
SCALE 1:1



DETAIL X
SCALE 1:1



25	1	Hexagon nut	A4
24	1	Hex. socket head cap scr.	A4-70
23	1	Hex. head screw	A4-70
22	1	Washer	A4
21	1	Operating Lever 22	1.4006
20	1	Stop plate	1.4301
19	6	Hex. socket head cap scr.	8.8-VZD
18	1	Stuffing box nut	1.4404
17	1	Belleville washer	1.4310
16	1	Disc	1.4404
15	1	Thrust ring	1.4404
14	1	Disc	1.4401
12	4	Disc	1.4401
11	4	Joint ring	K-Flon
10	4	Washer	Grafit
9	2	Washer	KFC-15
8	1	Operating stem 100	1.4104
7	1	Sealing ring	Grafit
6	1	Supporting ring	EN-GJL 250
5	1	Sealing element	X
4	1	Sealing ring	KFC-25
3	1	Ball	1.4408
2	1	flanged end piece short 100 PN40	1.0619
1	1	body KHE-FK 100 PN40	1.0619
Pos.	Qua.	Name	Material

Certifications:
Fire Safe API 607 4th edition
EN ISO 10497

Gez.: 21.08.19 Santa

wOH33675